

GERMAN QUALITY
AND ENGINEERING 

Wear Indicators

ACP-TURNADO



Patented
ICE Bolt
Material

Unique
Spring
Mechanism

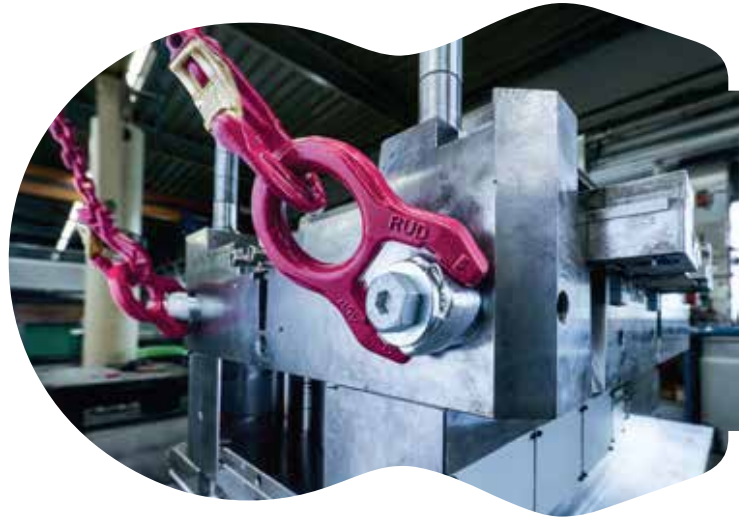
Higher WLL M12-M30
1/2"-1 1/4" Unc

Available with longer
RUD Bolt & Din Nut

RUD ACP-TURNADO: The World's First Smart Lifting Point

Setting a new standard among centre-pull hoist rings, the ACP-TURNADO is a cut above the rest.

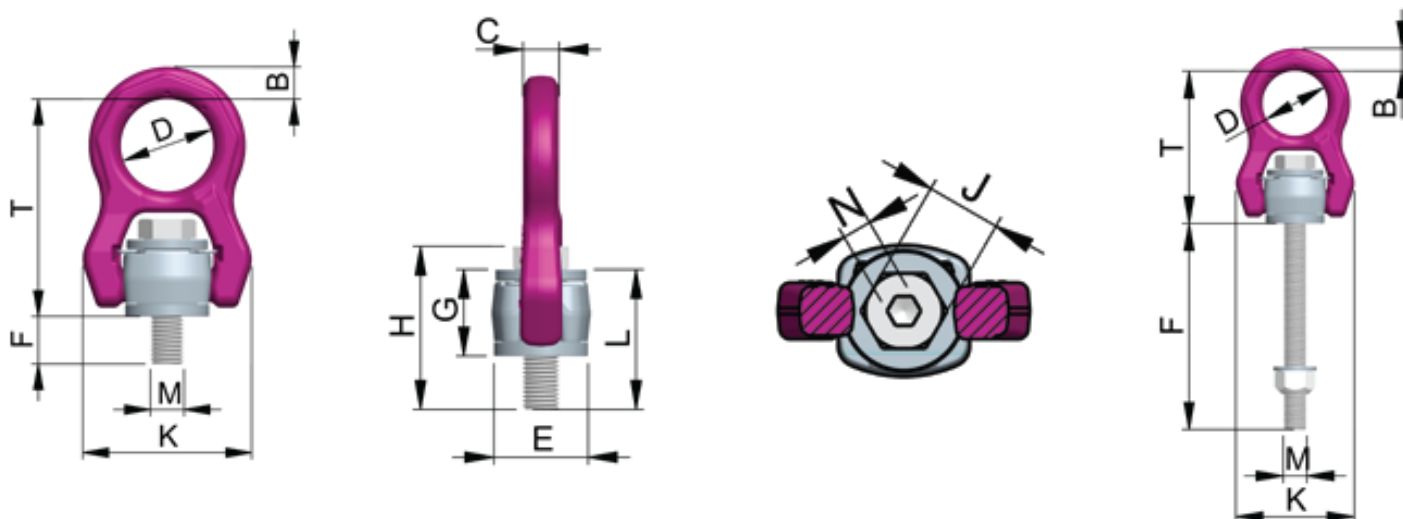
- The design of the ACP-TURNADO enables it to turn immediately into the direction of optimal force transmission, meaning there is no stoppage of the lifting ring that causes high shear stresses, bending or sudden movement of the load.
- Up to 30 percent higher working load limits (WLLs) than hoist rings of comparable sizes – thanks to RUD ICE-Bolt technology, and the ACP's optimised, low-profile design.
- No kinking of the hook – a primary benefit of the round lifting ring design.
- Wear indicators making it quick and easy to identify whether the wear of the lifting point is still within a safe range.
- RFID technology installed as standard allowing simplified inspection of operating equipment, ensuring inspection and maintenance as well as documentation work is done quickly and efficiently.



RUD ACP-TURNADO: The World's First Smart Lifting Point

The ACP-TURNADO Standard Range

Type	Ref.-No.	WLL	Weight [kg]	B [mm]	C [mm]	D [mm]	E [mm]	F [mm]	F _{max} [mm]	G [mm]	H [mm]	K [mm]	L [mm]	L _{max} [mm]	M [mm]	N [mm]	J [mm]	T [mm]	Torque moment [Nm]
ACP M12	7909314	1.35	0.375	11	10.5	38	30	19	117	28	54.5	58	47	145	12	8	19	83	80
ACP M16	7909316	2.5	0.815	14	14	50	40	22	149	36	68	76	58	185	16	10	24	107	150
ACP M20	7909317	4	1.342	17	17.25	50	45	26.5	186.5	43.5	82	89	70	230	20	12	30	118	300
ACP M24	7909318	6.3	3.03	23	23	66	60	34	210	55	104	120.5	89	265	24	14	36	154	500
ACP M30	7909319	8	5.66	29	27	75	75	41.5	271.5	68.5	128.7	148	110	340	30	17	46	183	800



The ACP-TURNADO Vario Range

Type	Ref.-No.	WLL	Weight [kg]	B [mm]	C [mm]	D [mm]	E [mm]	F [mm]	F _{max} [mm]	G [mm]	H [mm]	K [mm]	L [mm]	L _{max} [mm]	M [mm]	N [mm]	J [mm]	T [mm]	Torque moment [Nm]
ACP M12	8600632	1.35	0.375	11	10.5	38	30	19	117	28	54.5	58	47	145	12	8	19	83	80
ACP M16	8600634	2.5	0.815	14	14	50	40	22	149	36	68	76	58	185	16	10	24	107	150
ACP M20	8600636	4	1.342	17	17.25	50	45	26.5	186.5	43.5	82	89	70	230	20	12	30	118	300
ACP M24	8600638	6.3	3.03	23	23	66	60	34	210	55	104	120.5	89	265	24	14	36	154	500
ACP M30	8600640	8	5.66	29	27	75	75	41.5	271.5	68.5	128.7	148	110	340	30	17	46	183	800

ACP-TURNADO also available in UNC Thread, refer to rud.com.au for information

Our Branches

Head Office & Auckland Sales

6-10 Greenmount Drive, East Tamaki,
Auckland 2013, New Zealand
T +64 9 274 4299

Whangarei

239 Lower Port Road
Whangarei, New Zealand
T +64 9 438 8964

Tauranga

1 Marsh Street
Tauranga, New Zealand
T +64 7 578 0605

Rotorua

57-59 Marguerita Street
Rotorua, New Zealand
T +64 7 348 3043

New Plymouth

72 Corbett Road, Bell Block
RD3, 4312 New Zealand
T +64 6 755 0413

Wellington

57 Cuba Street, Petone
5012 New Zealand
T +64 4 568 4384

Nelson

8 Akersten Street
Port Nelson, New Zealand
T +64 3 548 0719

Christchurch

124C Waterloo Road, Christchurch
8042 New Zealand
T +64 3 349 3002

Timaru

66 Seadown Rd, Timaru
7910 New Zealand
T +64 3 684 7494

Dunedin

2A Orari Street
Dunedin, New Zealand
T +64 3 455 3966

Invercargill

137 Clyde Street, Invercargill
9810 New Zealand
T +64 3 218 4682